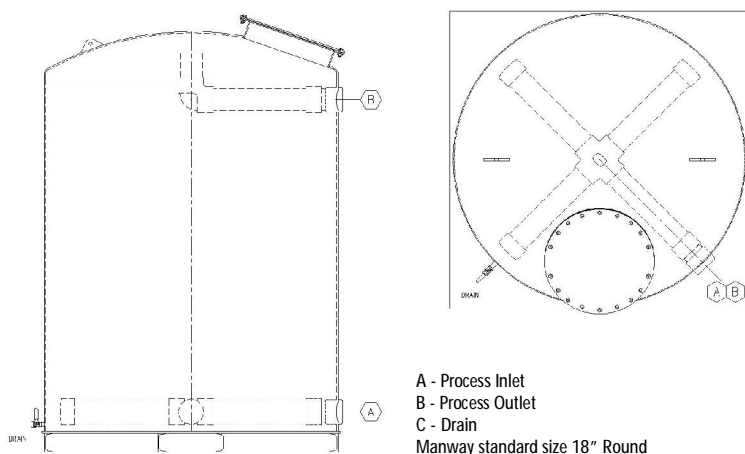


## V2 SERIES FILTERS

V2 series filters are designed to treat vapor streams in a wide variety of adsorption applications. The modular design enables the units to easily fit into a wide variety of installations. Standard features include steel construction with epoxy internal coating, efficient internal distributor array, forklift skid and lifting eyes.

A wide variety of options and contact medias are available, contact our sales and engineering team to assist in your application.



Standard Model Shown - Detailed Submittal Drawings Available

### V2 SERIES STANDARD SPECIFICATIONS

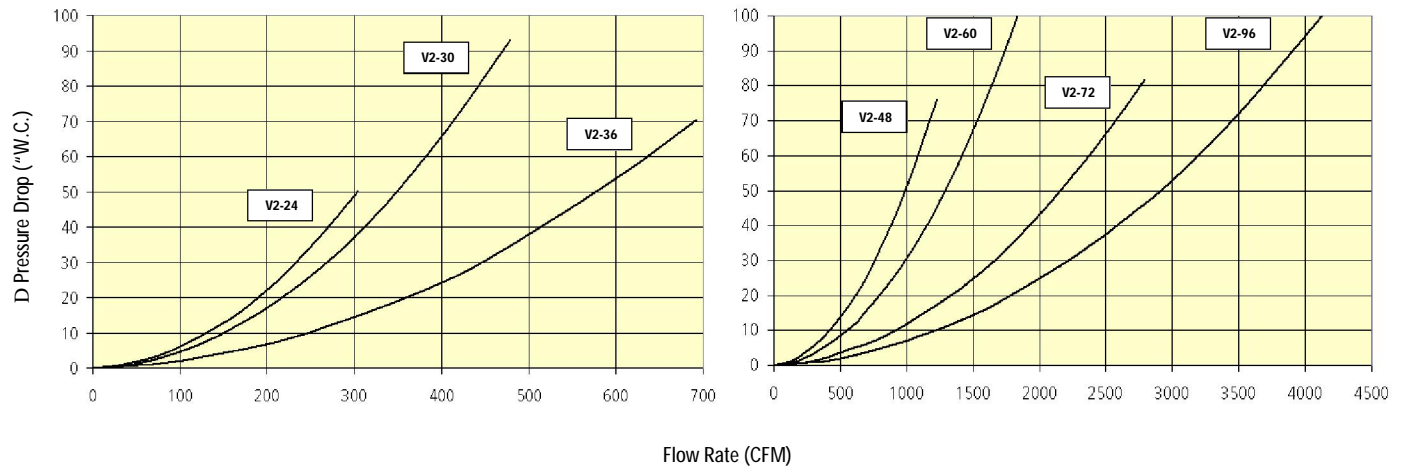
Model Number	V2-24	V2-30	V2-36	V2-48	V2-60	V2-72	V2-96
Overall Height	3'11"	5'3"	6'5"	7'7"	7'10"	9'0"	9'4"
Diameter	24"	30"	36"	48"	60"	72"	96"
Process Connection	2" FNPT	2" FNPT	3" FNPT	4" FNPT	4" FNPT	6" FNPT	6" FNPT
Typical GAC Fill (28#/FT <sup>3</sup> )	250 Lbs	500 Lbs	1,000 Lbs	2,000 Lbs	3,000 Lbs	5,000 Lbs	10,000 Lbs
Shipping Weight (empty)	165 Lbs	375 Lbs	500 Lbs	925 Lbs	1,375 Lbs	2,300 Lbs	3,150 Lbs
Operational Weight	500 Lbs	1,050 Lbs	1,800 Lbs	3,500 Lbs	5,250 Lbs	8,750 Lbs	15,800 Lbs
Cross Sectional Bed Area	3.1 FT <sup>2</sup>	4.9 FT <sup>2</sup>	7 FT <sup>2</sup>	12.5 FT <sup>2</sup>	19.5 FT <sup>2</sup>	28 FT <sup>2</sup>	50 FT <sup>2</sup>
Available Bed Volume	9 FT <sup>3</sup>	19.5 FT <sup>3</sup>	35 FT <sup>3</sup>	75 FT <sup>3</sup>	117 FT <sup>3</sup>	196 FT <sup>3</sup>	400 FT <sup>3</sup>
Maximum Pressure	10 PSIG	10 PSIG	10 PSIG	10 PSIG	10 PSIG	10 PSIG	10 PSIG
Maximum Vacuum	28" Hg	28" Hg	28" Hg	28" Hg	28" Hg	28" Hg	28" Hg

## V2 SERIES FILTERS

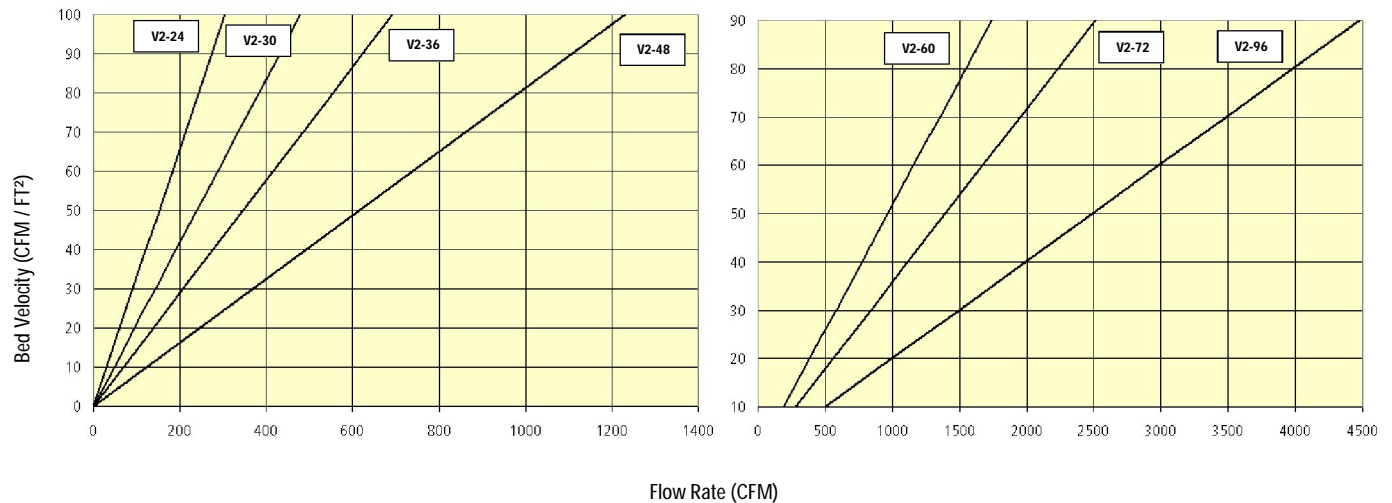
### 4x10 BITUMINOUS ACTIVATED CARBON

The following pressure drop graphs can be used for assistance in sizing blowers, etc. When utilizing pressure drop graphs it is important to consider the resultant figures represent typical start up conditions for a single unit. Pressure drop is measured from inlet nozzle to discharge nozzle. Certain conditions can cause extreme pressure drop increases over time.

Pressure Drop Graph for V2 Series Vessels



Bed Velocity Graph



The above bed velocity charts should be used when selecting the proper bed area related to flow-rate. This concern is primarily mechanical. Other factors should be considered when selecting the proper adsorber size. Bed velocities below 20 CFM/FT<sup>2</sup> increase the chances of unequal bed usage or "channeling". Bed velocities for up-flow configured adsorbers above 60 CFM/FT<sup>2</sup> can lead to bed fluidization causing loss of media.